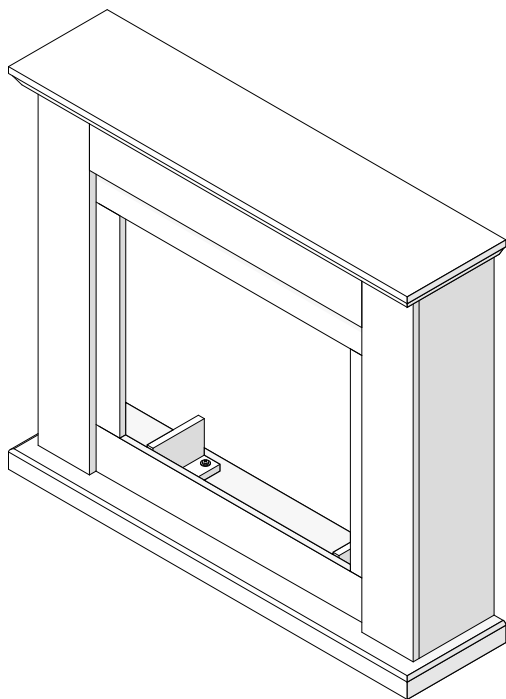


FIREPLACE MANTEL

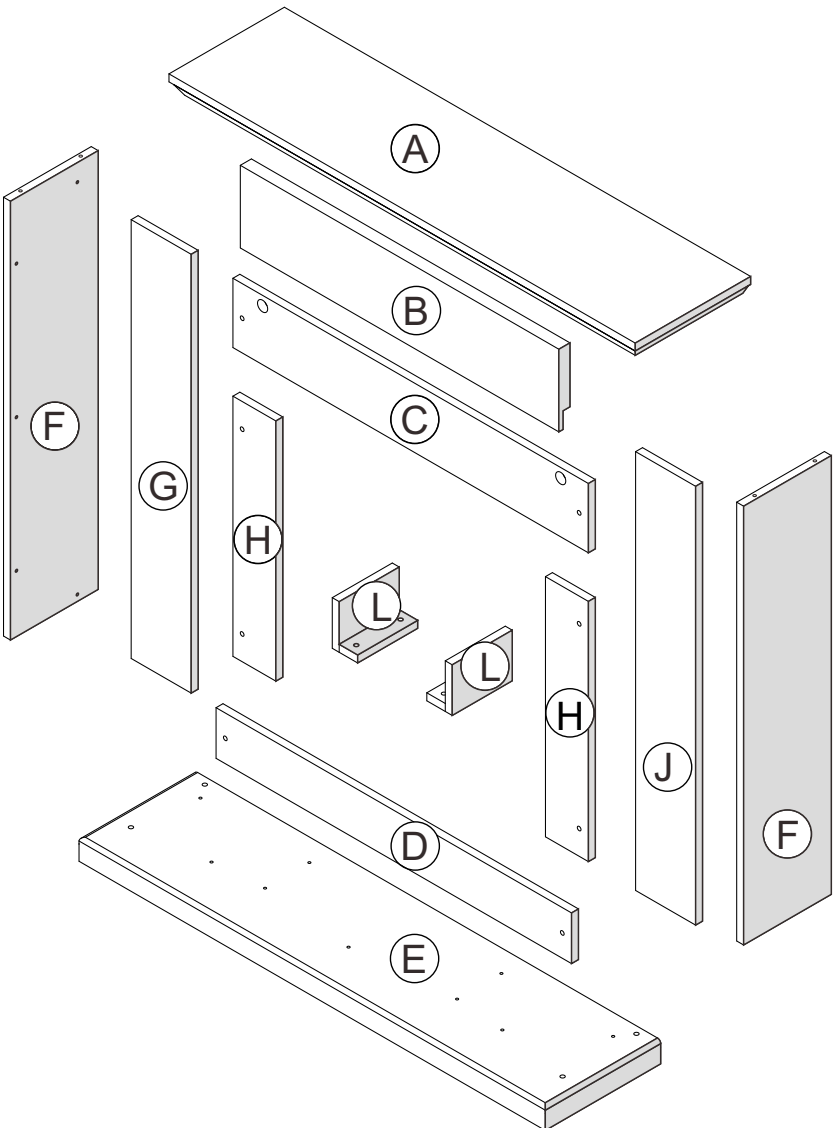
ASSEMBLY INSTRUCTIONS

MT321B



If you have a problem with this product, DO NOT RETURN.
Call our customer service ,Tel: 01785 719005, or
E-mail: customerservice@moddelo.co.uk

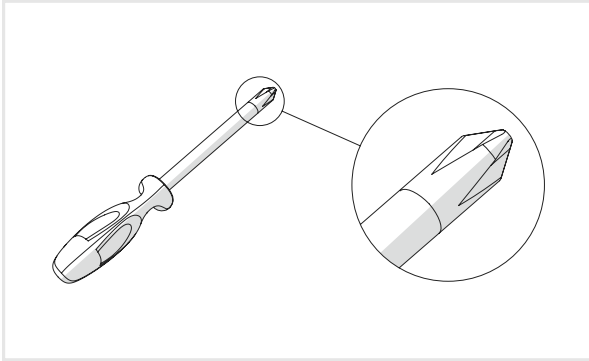
PARTS LIST


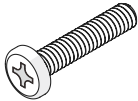
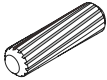

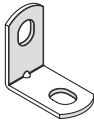
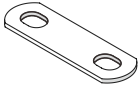



PARTS AND ACCESSORIES

Tools required:

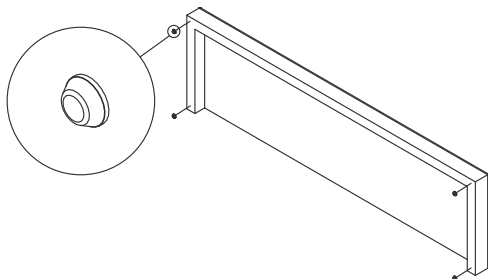
A screwdriver will be needed.



 41x M6x12mm	 13x M6x28mm	 13x ø 8x30mm
 13x	 19x	 3x
 6 x		

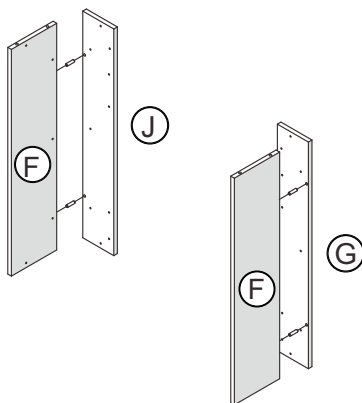
ASSEMBLY INSTRUCTIONS

01



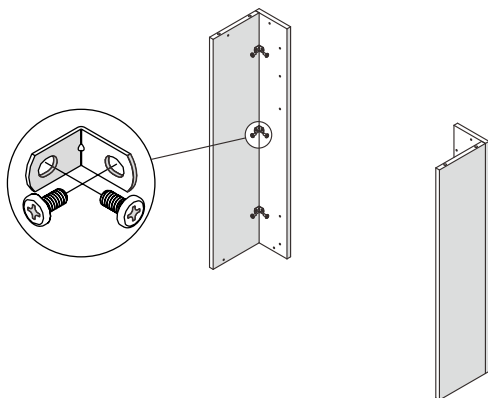
Carry out this assembly step on both sides

02



Carry out this assembly step on both sides

03



12x



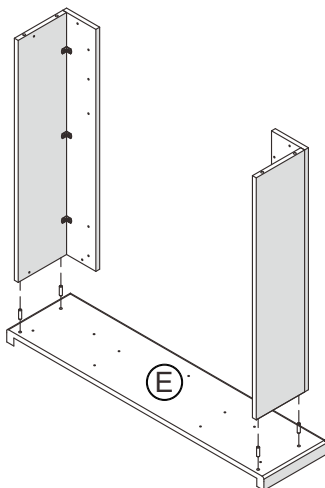
M6x12mm

6x

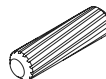


Carry out this assembly step on both sides

04



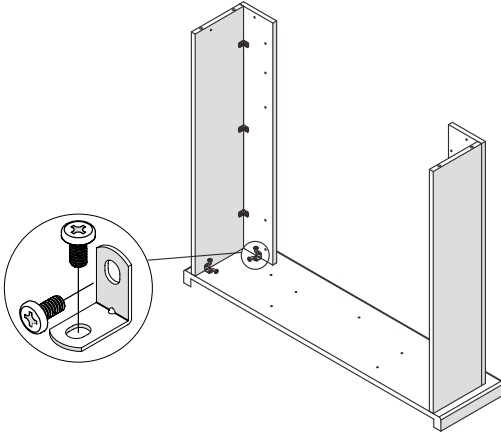
4x



ø 8x30mm

Carry out this assembly step on both sides

05



8 x



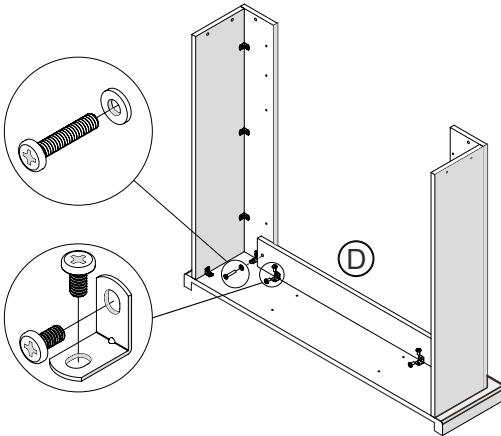
M6x12mm

4 x



Carry out this assembly step on both sides

06



4 x



M6x12mm

2 x



2 x



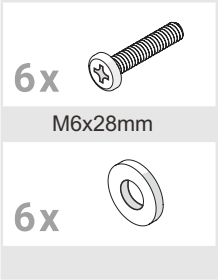
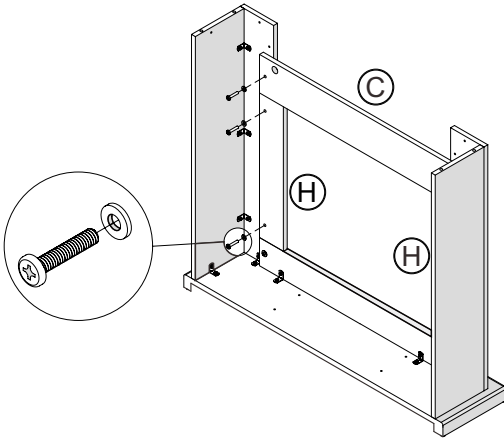
M6x28mm

2 x



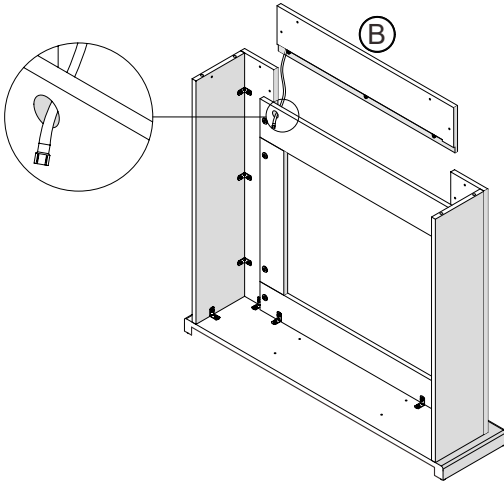
Carry out this assembly step on both sides

07

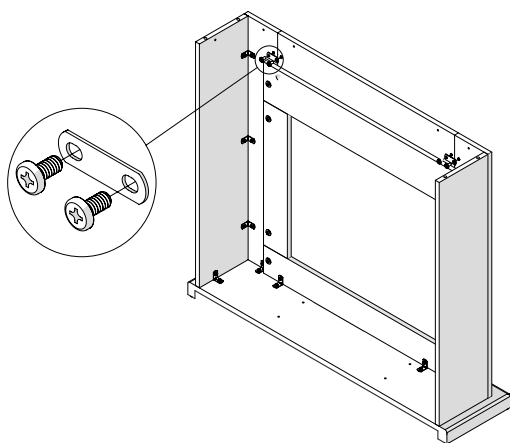


Carry out this assembly step on both sides

08



09

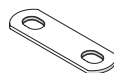


4x



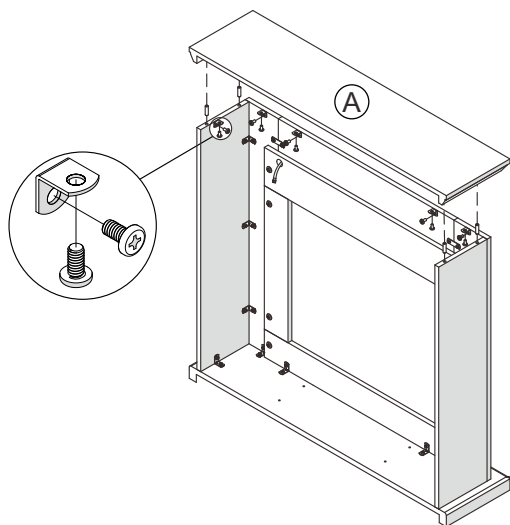
M6x12mm

2x



Carry out this assembly step on both sides

10



12x



M6x12mm

6x



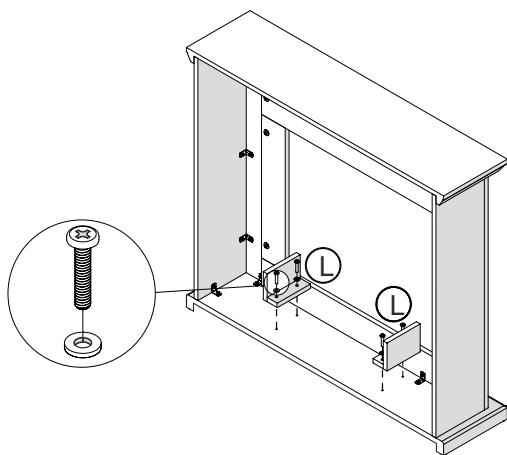
4x



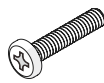
∅ 8x30mm

Carry out this assembly step on both sides

11



4x

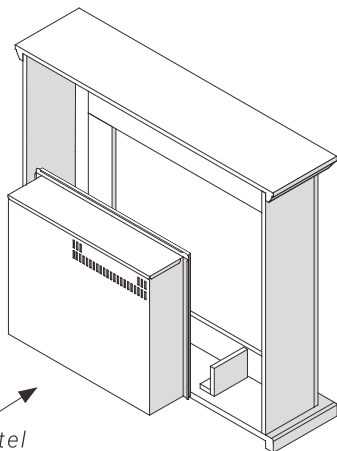


M6x28mm

4x

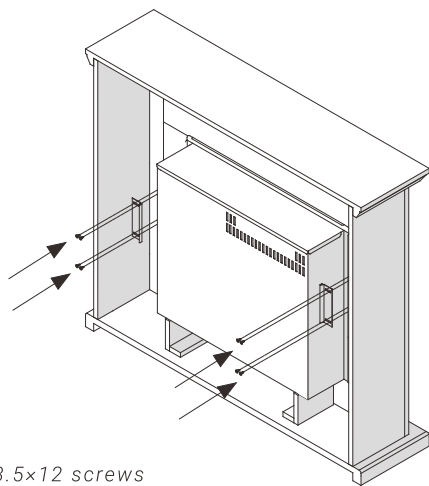


12



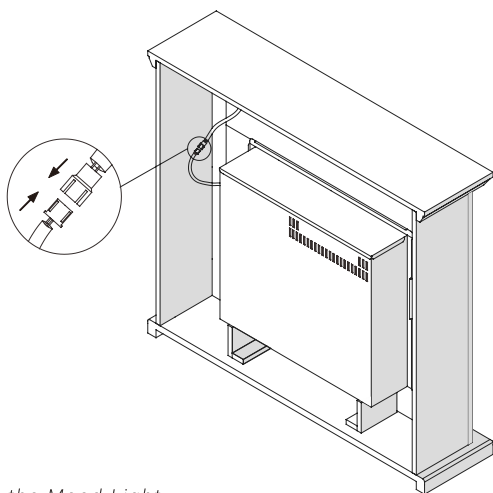
Rear side of the mantel

13



Use 8 pcs ST3.5×12 screws

14



Connect the Mood Light

Distributor: Modelo Ltd
Deansfield House
98 Lancaster Road
Newcastle under Lyme
Staffordshire
England, ST5 1DS

Tel: 01785 719005
Email: customerservice@modelo.co.uk